

# User's Manual(Return Path SG TG-1215)

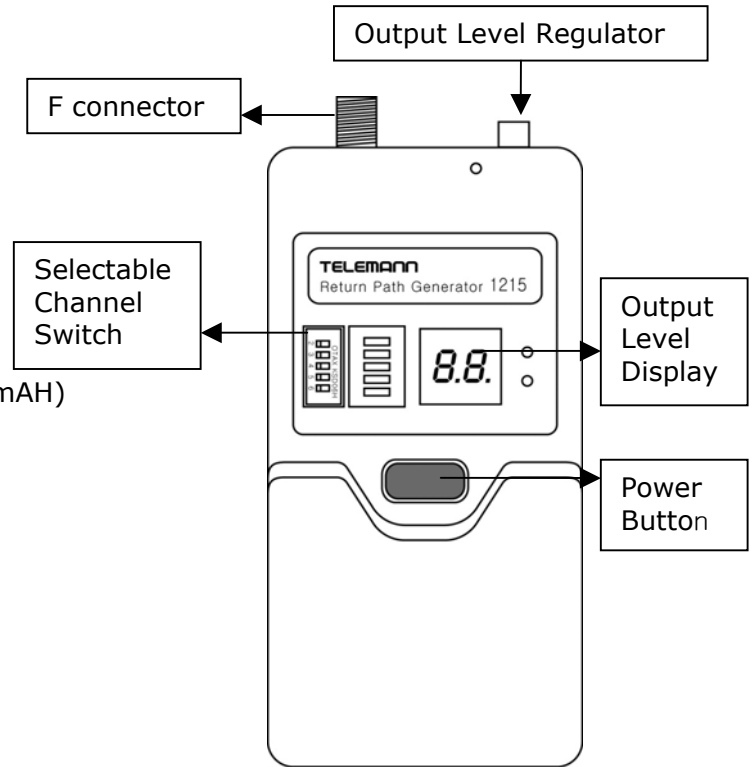
## 1. Specifications

- Circuit Method : individual oscillation method
- Output Frequency : 20/30/40/50/60MHz(5carriers)
- Dimension : 65mm(W) × 30mm(D) × 140mm(H)
- Max. Output Power : 45dBmV(factory default 40dBmV)
- Output Frequency Level : 25dBmV ~ 45dBmV
- Output Level Accuracy : ±2dB
- Impedance : 75Ω
- Spurious : -50dB below(@50MHz above)

## 2. Power Supply

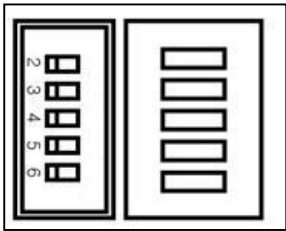
- Voltage : 4.8V
- Rechargeable Battery(Built-in) : Ni-MH 1.2V X 4(2,100mAh)
- Duration
  - a) one carrier : over 18hrs
  - b) two carriers : over 13hrs
  - c) three carriers : over 10hrs
  - d) five carriers : over 7hrs
- Power Switch : Electronic Toggle Switch
- Adapter : DC12V 500mA(over 10hrs)

※ In order to use the unit without problem, please turn power off first and then, charge it.



[Front View]

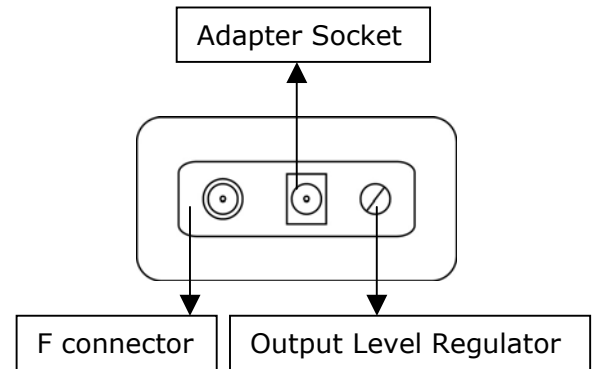
## 3. How to select the channel



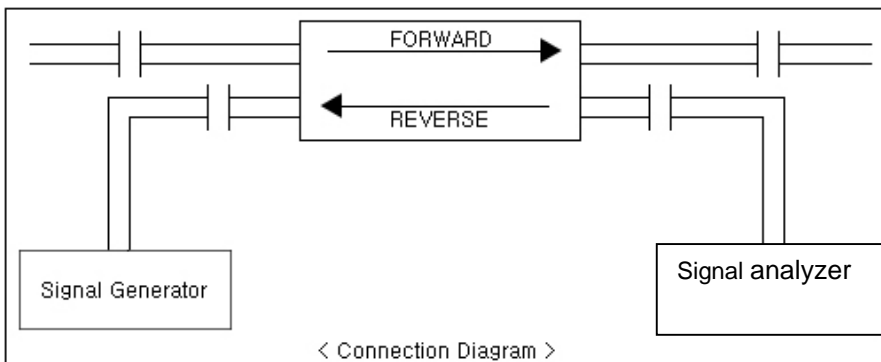
- 2 : 20MHz carrier On/Off switch
  - 3 : 30MHz carrier On/Off switch
  - 4 : 40MHz carrier On/Off switch
  - 5 : 50MHz carrier On/Off switch
  - 6 : 60MHz carrier On/Off switch
- (Left : Off, Light : On)

## 4. Operation

- 1) Turn power on and set the output frequency.
- 2) Connect signal generator with signal analyzer using cable like the following connection diagram.
- 3) Turn the output level regulator to the left slowly to adjust the output level.
- 4) Adjust the gain control terminal of amplifier, looking at the level of signal analyzer.



[Top View]



## [Manufacturer]

Telemann Corporation  
 #D-612, Dawoo Techno-Park, 187-7,  
 Dodang-dong, Wonmi-gu, Bucheon-si,  
 Gyeonggi-do, R.O.Korea

(Tel) 82-32-678-8566/7  
 (Fax) 82-32-678-8568  
 www.telemannco.com